



# 唯佳金属网

## WEIJIA METAL MESH

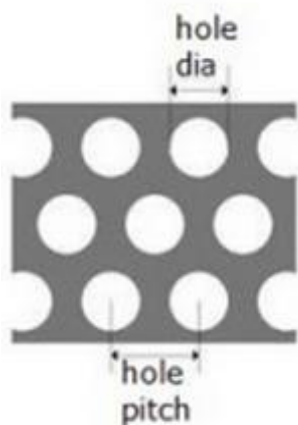
Hebei Weijia Metal Mesh Co.,Ltd was established in 2008. It covers an area of more than 10000 square meters. There are more than 2000 employees ,and over 300 Senior technicians and engineers. We are a high-tech enterprise, engaged in research and development,production,sales and service, and also the first mover in the area of metal mesh in China.

Hebei Weijia Metal Mesh Co.,Ltd has competitive advantage in the production of expanded metal mesh,steel bar grating,wire mesh fence,decorative wire mesh.Our products are widely used in sea & airport,power industry,garden decoration,etc.All the products are used for a wide application in construction,protection,plant,industry,municipal, transportation,decoration and so on.

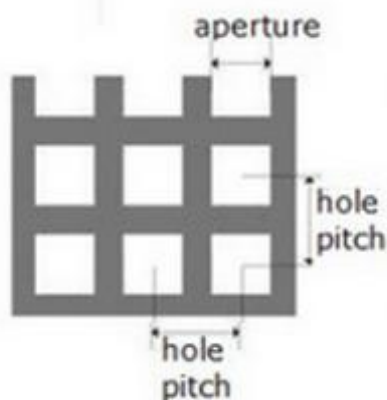
Hebei Weijia have a good reputation in Europe,America,Middle-east,Southeast Asia.We sincerely hope to establish a mutually beneficial and friendly cooperation with domestic and foreign customers.

<b>Perforated metal</b>	
<b>Material</b>	Carbon Steel Plate, Galvanized steel Plate, Stainless Steel Plate, Aluminum Plate, etc
<b>Thickness</b>	0.5mm-12mm
<b>Sheet size</b>	1000mmx1000mm, 1000mmx2000mm, 1200mmx2400mm, 1220mmx2440mm,etc
<b>Surface treatment</b>	- Without treatment For carbon steel material : - Galvanized : Electric galvanized, Hot-dipped galvanized - Powder coated (colour can be silver, blue,green,yellow,pink,red,black,as you like) For aluminum material : - Anodized - PVDF(surface will be much more smooth, level off and glossy, it also has a much longer life span than common treatment)
<b>Hole shape</b>	Round, Rectangular,Square, Triangle, Diamond, Hexagonal, Cross, Slotted and any other special patterns
<b>Categories</b>	CNC perforating,CNC turret perforating,Laser cutting,Water jet cutting,Coil to coil perforating,Coil to pieces perforating,Etching, etc.
<b>Application</b>	Perforated metal mesh is widely used in facade, architectural decoration, stair and walkway, chemical machinery, Pharmaceutical equipment,food and beverage machines,cigarette machines, harvesters,dry-cleaning machine,ironing table,silencing equipment,refrigeration equipment(central air conditioning),speakers,crafts,paper making,hydraulic fittings,filtration equipment, protecting mesh, and other industries.

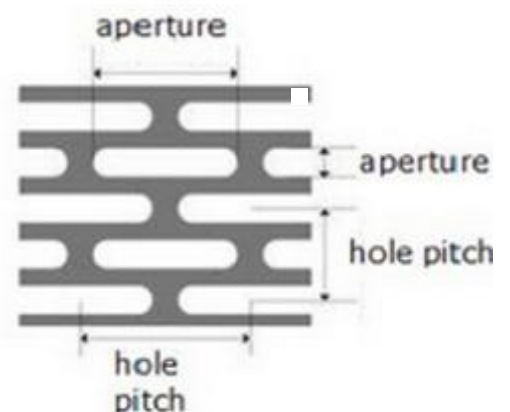
**Round**

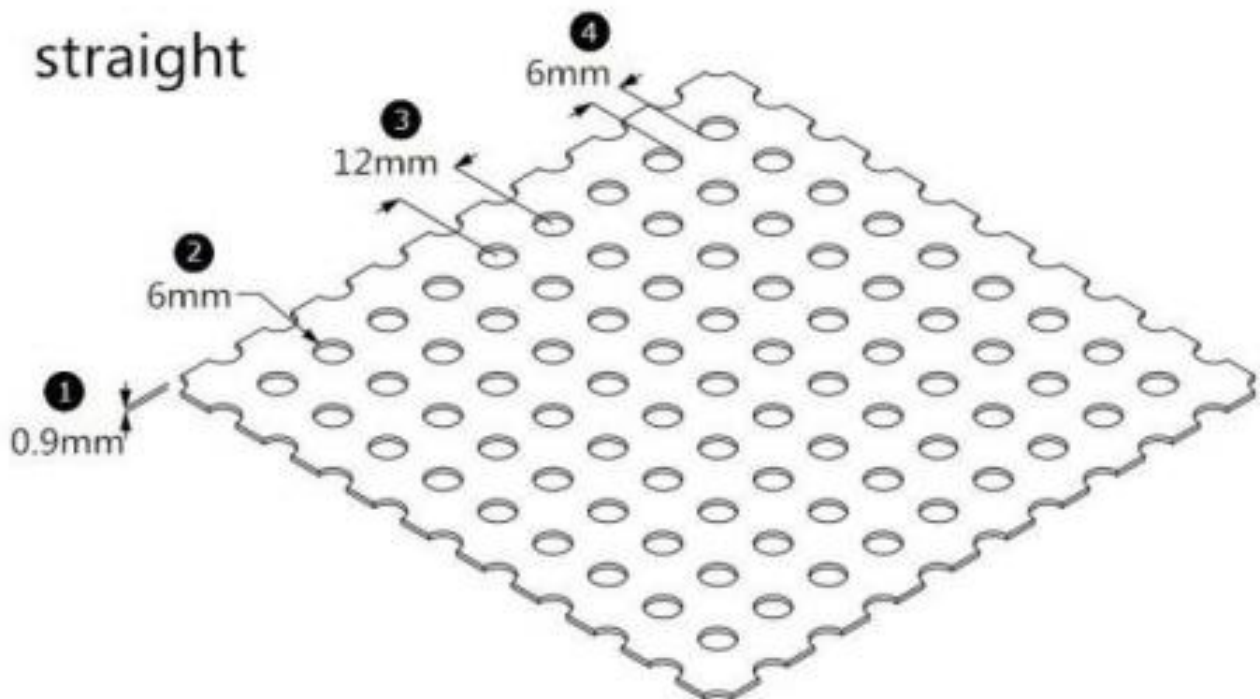
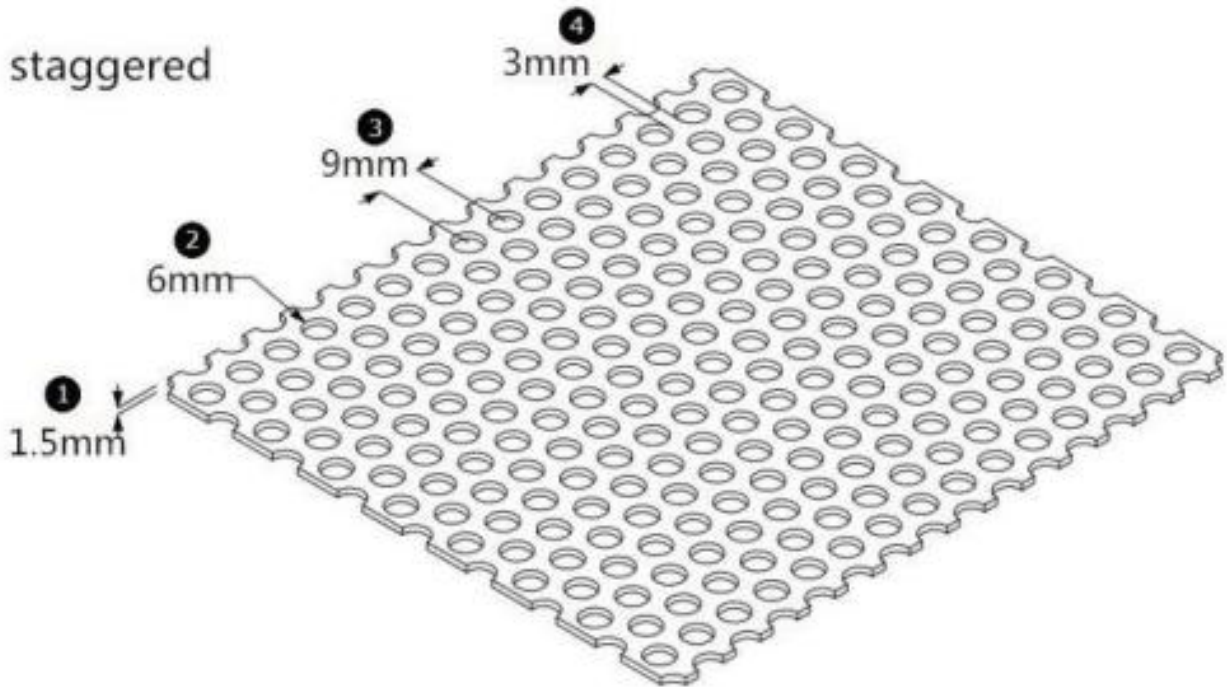


**Square**



**Slot**



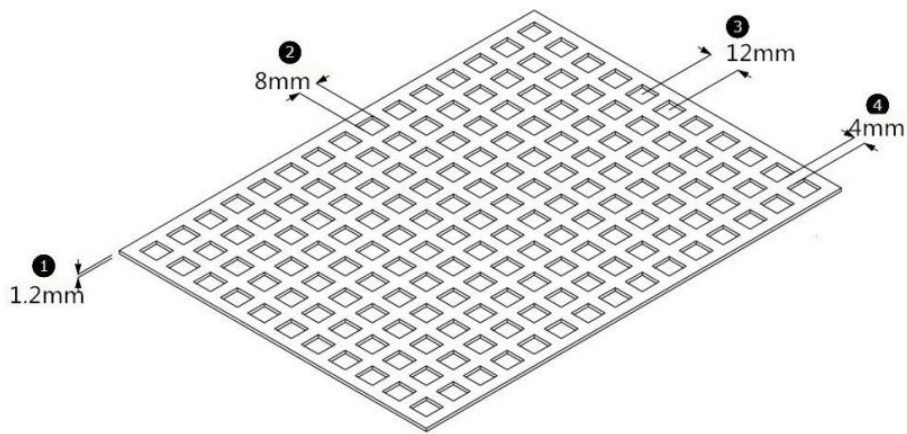


Round hole specification

Description	Hole Size(mm)	Pitch(mm)	Open area	Thickness(mm)					
				0.4	0.5	0.8	1.0	1.2	1.5
R0.8 T2	0.8	2	0.15	-	-	-			
R1 T2	1	2	0.23	-	-	-	-		
R1.2 T2.25	1.2	2.25	0.26		-	-	-		
R1.2 T2.5	1.2	2.5	0.21		-	-	-		
R1.5 T2.75	1.5	2.75	0.27		-	-	-	-	
R1.5 T3	1.5	3	0.23		-	-	-	-	
R1.8 T3.5	1.8	3.5	0.24		-	-	-	-	-
R2 T3	2	3	0.40		-	-	-	-	
R2 T3.5	2	3.5	0.30		-	-	-	-	
R2 T4	2	4	0.23		-	-	-	-	-
R2.5 T3.5	2.5	3.5	0.46		-	-	-	-	-
R2.5 T4	2.5	4	0.35		-	-	-	-	-
R2.5 T4.5	2.5	4.5	0.28		-	-	-	-	-
R2.5 T5	2.5	5	0.23		-	-	-	-	-
R3 T5	3	5	0.33		-	-	-	-	-
R3 T6	3	6	0.23		-	-	-	-	-
R3.5 T5	3.5	5	0.44		-	-	-	-	-
R4 T5	4	5	0.58		-	-	-	-	
R4 T6	4	6	0.40		-	-	-	-	-
R4 T8	4	8	0.23		-	-	-	-	-
R5 T7	5	7	0.46		-	-	-	-	-
R5 T8	5	8	0.35		-	-	-	-	-
R5 T10	5	10	0.23		-	-	-	-	-
R5 T25	5	25	0.04		-	-	-	-	-
R6 T8.5	6	8.5	0.45		-	-	-	-	-
R6 T9	6	9	0.40		-	-	-	-	-
R6 T10	6	10	0.33		-	-	-	-	-
R7 T10	7	10	0.44				-	-	-
R8 T11	8	11	0.48				-	-	-
R8 T12	8	12	0.40				-	-	-
R8 T15	8	15	0.26				-	-	-
R10 T13	10	13	0.54				-	-	-
R10 T14	10	14	0.46				-	-	-
R10 T15	10	15	0.40				-	-	-
R10 T18	10	18	0.28				-	-	-
R12 T16	12	16	0.51				-	-	-
R12 T17	12	17	0.45				-	-	-
R15 T20	15	20	0.51				-	-	-
R15 T21	15	21	0.46				-	-	-
R20 T25	20	25	0.58				-	-	-
R20 T27	20	27	0.50				-	-	-
R20 T28	20	28	0.46				-	-	-
R20 T30	20	30	0.40				-	-	-
R25 T34	25	34	0.49				-	-	-

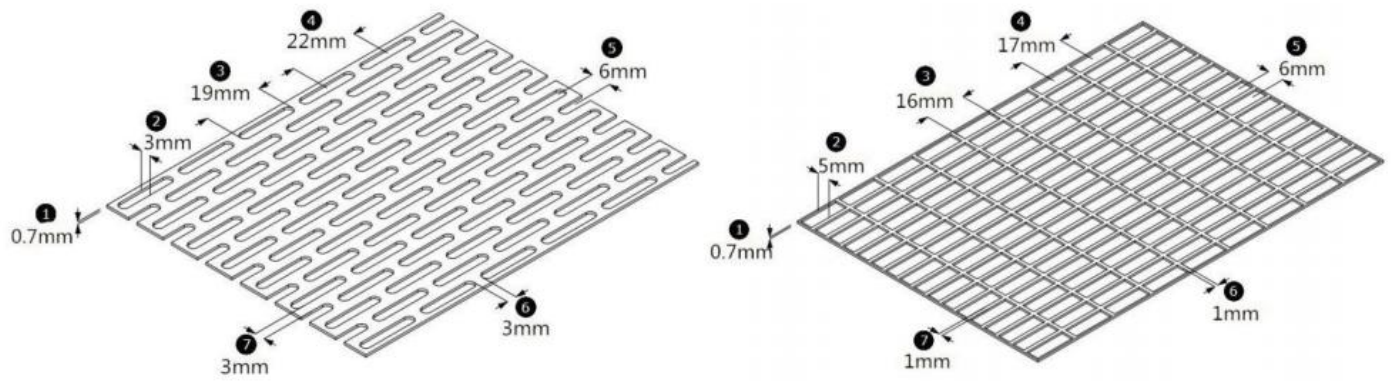
Round hole specification

Description	Hole Size(mm)	Pitch(mm)	Open area	Thickness(mm)					
				2.0	2.5	3.0	4.0	5.0	6.0
R2.5 T3.5	2.5	3.5	0.46	-					
R2.5 T4	2.5	4	0.35	-					
R2.5 T4.5	2.5	4.5	0.28	-					
R2.5 T5	2.5	5	0.23	-					
R3 T5	3	5	0.33	-	-				
R3 T6	3	6	0.23	-	-				
R4 T6	4	6	0.40	-					
R4 T8	4	8	0.23	-	-	-			
R5 T7	5	7	0.46	-					
R5 T8	5	8	0.35	-	-	-			
R5 T10	5	10	0.23	-	-	-	-		
R5 T25	5	25	0.04	-	-	-	-		
R6 T8.5	6	8.5	0.45	-	-				
R6 T9	6	9	0.40	-	-	-			
R6 T10	6	10	0.33	-	-	-	-	-	
R7 T10	7	10	0.44	-	-	-	-	-	
R8 T11	8	11	0.48	-	-	-	-	-	
R8 T12	8	12	0.40	-	-	-	-	-	-
R8 T15	8	15	0.26	-	-	-	-	-	-
R10 T13	10	13	0.54	-	-	-	-	-	
R10 T14	10	14	0.46	-	-	-	-	-	
R10 T15	10	15	0.40	-	-	-	-	-	-
R10 T18	10	18	0.28	-	-	-	-	-	-
R12 T16	12	16	0.51	-	-	-	-	-	
R12 T17	12	17	0.45	-	-	-	-	-	-
R15 T20	15	20	0.51	-	-	-	-	-	-
R15 T21	15	21	0.46	-	-	-	-	-	-
R20 T25	20	25	0.58	-	-	-	-	-	-
R20 T27	20	27	0.50	-	-	-	-	-	-
R20 T28	20	28	0.46	-	-	-	-	-	-
R20 T30	20	30	0.40	-	-	-	-	-	-
R25 T34	25	34	0.49	-	-	-	-	-	-



Square hole specification

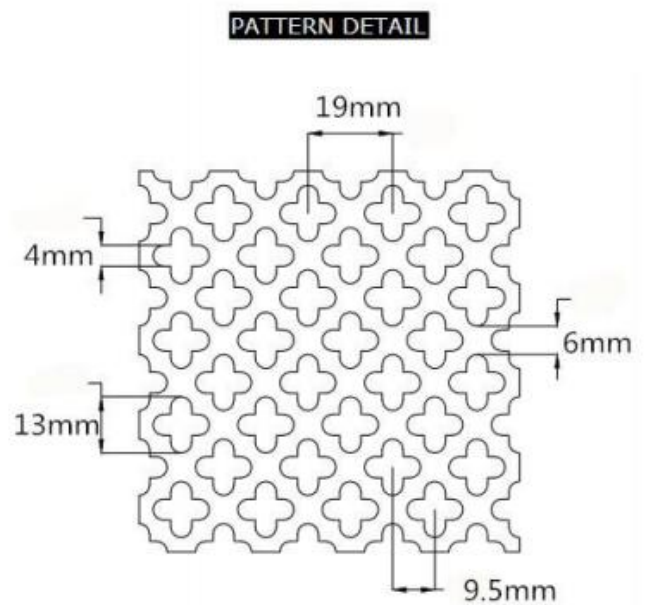
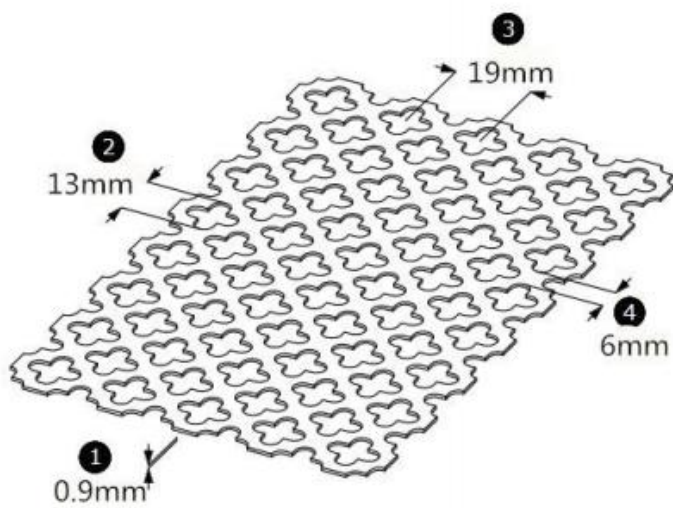
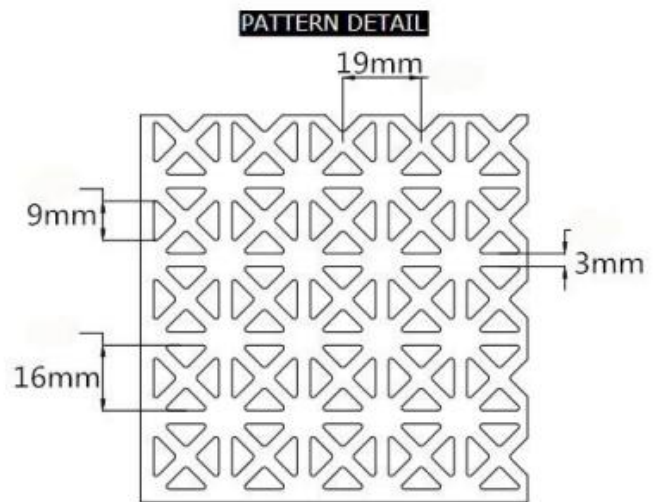
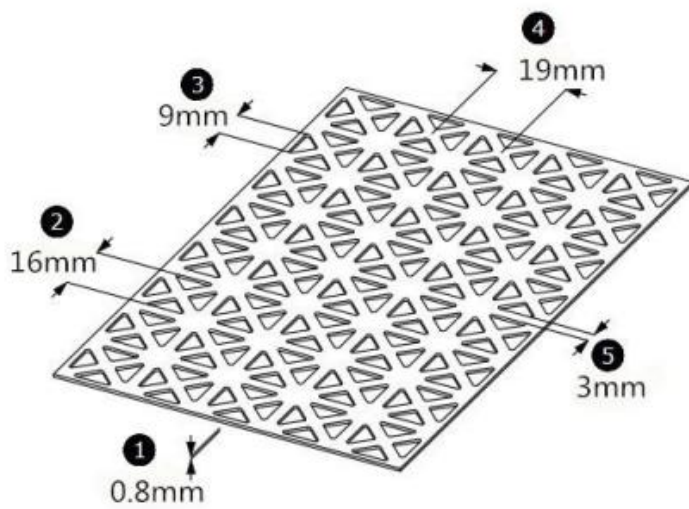
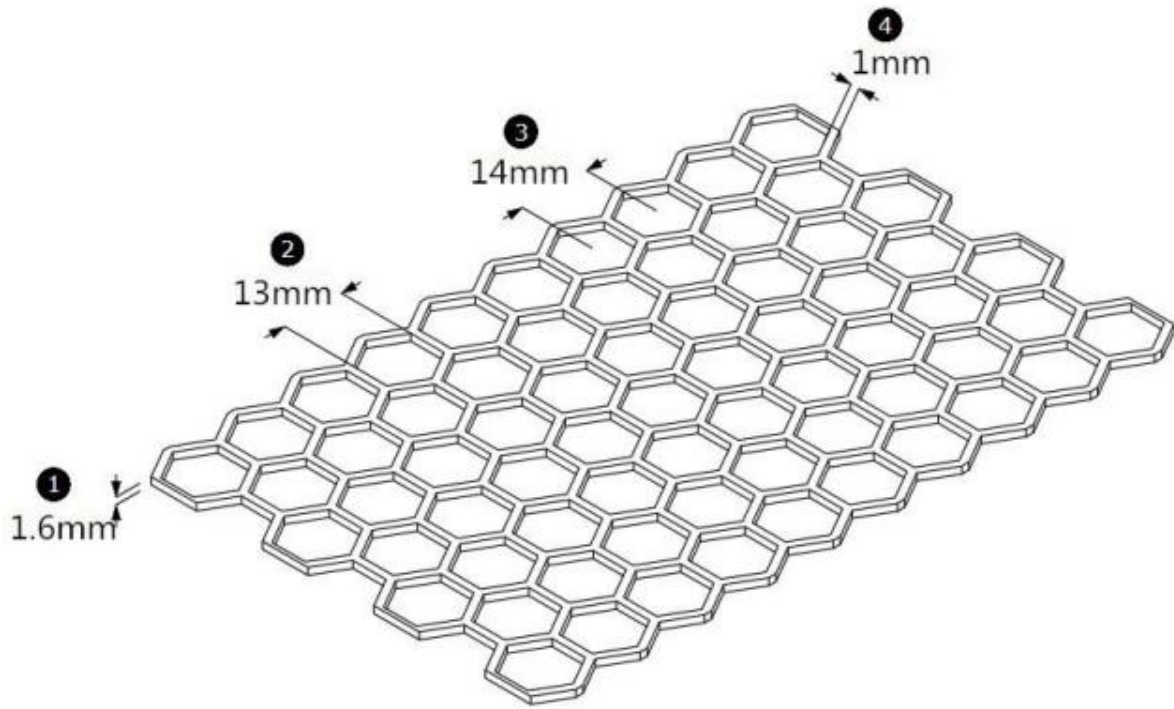
Description	Hole Size(mm)	Pitch(mm)	Open area	Thickness(mm)					
				0.4	0.5	0.8	1.0	1.2	1.5
C3 U5	3	5	0.36		-	-			
C5 U7.5	5	7.5	0.44		-	-	-		
C5 U8	5	8	0.39		-	-	-		
C5.5 U7.5	5.5	7.5	0.54	-	-	-	-		
C5.5 U8	5.5	8	0.47		-	-	-		
C6 U10	6	10	0.36		-	-	-	-	-
C6 U12	6	12	0.25		-	-	-	-	-
C7 U10	7	10	0.49		-	-	-	-	-
C8 U10	8	10	0.64	-	-	-	-		
C8 U12	8	12	0.44		-	-	-		
C10 U12	10	12	0.69		-	-	-		
C10 U14	10	14	0.51		-	-	-	-	-
C10 U15	10	1.5	0.44		-	-	-	-	-
C10 U20	10	20	0.25		-	-			
C15 U20	15	20	0.56		-	-	-	-	-
C19 U22	19	22	0.75		-	-			
C20 U28	20	28	0.51		-	-	-	-	-
C20 U40	20	40	0.25		-	-	-	-	-
C22 U44	22	44	0.25						-
C25 U50	25	50	0.25			-	-		
C30 U35	30	35	0.73			-	-	-	
C30 U60	30	60	0.25			-	-	-	-
C40 U50	40	50	0.64			-	-	-	-
C40 U80	40	80	0.25			-	-	-	
C50 U100	50	100	0.25			-	-	-	-



**Oblong hole specification**

Description	Hole Size(mm)	Pitch(mm)	Open area	Thickness(mm)					
				0.4	0.5	0.8	1.0	1.2	1.5
LR1×10Z	1×10	7×14	0.2	-					
LR1.5×12Z	1.5×12	10.3×16	0.21	-					
LR1.5×20Z	1.5×20	4×50	0.30	-					
LR2×10Z	2×10	10×15	0.26	-					
LR2×20Z	2×20	10×25	0.31	-					
LR3×20Z	3×20	6×26	0.74	-	-	-			
LR3×20Z	3×20	14×26	0.32	-	-	-			
LR4×20Z	4×20	10×25	0.61	-	-	-	-		
LR4×25Z	4×25	6.5×41	0.66	-	-	-	-		
LR4.5×25Z	4.5×25	7×60	0.51	-	-	-	-		
LR4.75×20Z	4.75×20	15×25	0.48	-	-	-	-		
LR5×20Z	5×20	20×25	0.38	-	-	-	-		
LR6×20Z	6×20	24×24.8	0.38	-	-	-	-	-	
LR6×20Z	6×20	26×40	0.22	-	-	-	-	-	
LR7×20Z	7×20	13×47.5	0.42	-	-	-	-	-	
LR7×25Z	7×25	30×30	0.37	-	-	-	-	-	
LR8×40Z	8×40	26×47.5	0.50	-	-	-	-	-	
LR10×40Z	10×40	20×50	0.76	-	-	-	-	-	
LR2.1×20Z	2.1×20	5×25	0.33	-	-				
LR2.4×20Z	2.4×20	5×25	0.38	-	-				
LR3×20Z	3×20	5.5×25	0.41	-	-	-			
LR4.5×20Z	4.5×20	8×25	0.44	-	-	-	-	-	
LR5×30Z	5×30	9×35	0.46	-	-	-	-	-	
LR7×25Z	7×25	12×30	0.25	-	-	-	-	-	









----Punching

Inspection----

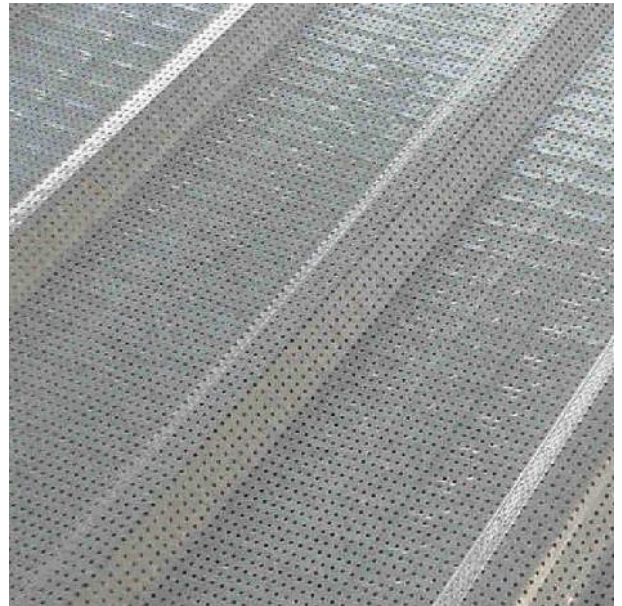
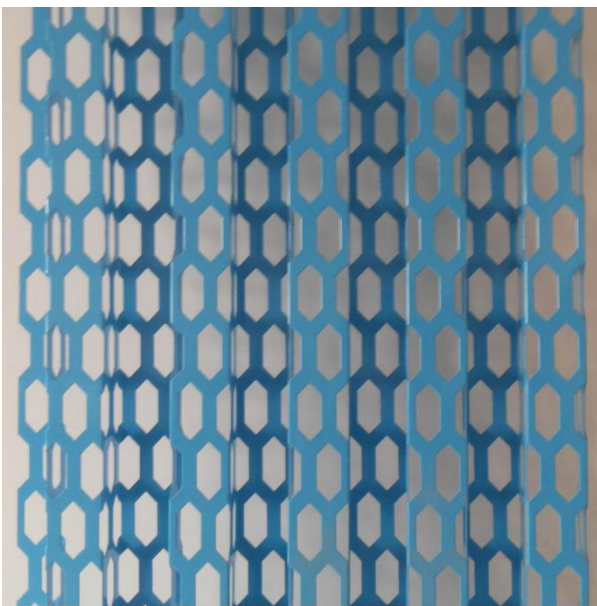


**Powder coated---**



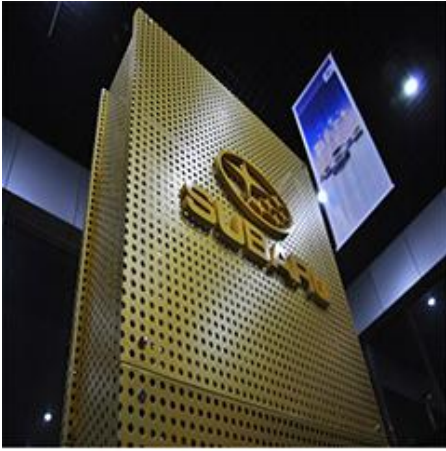
**---Wind dust plate**

**Perforated sheet (bending) for decoration**





## Perforated metal application



advertising board



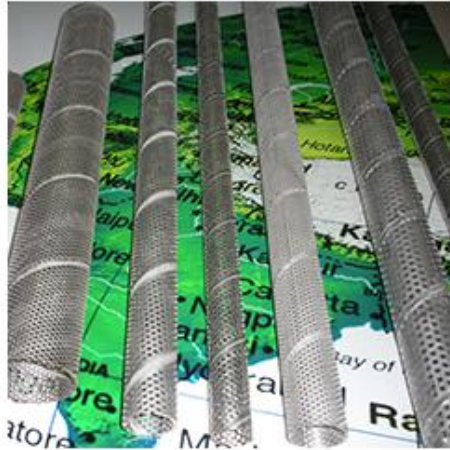
achitecture



noise control



decoration



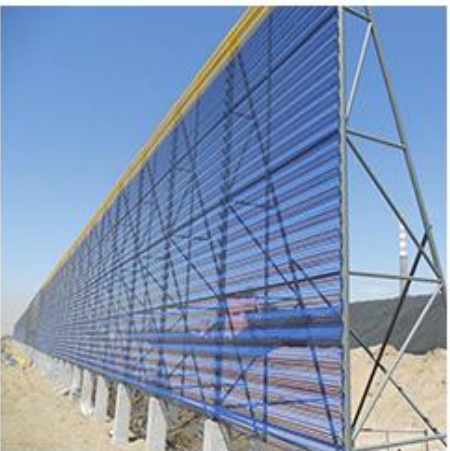
filtration



stair treads



furnishings



wind dust plate



shelf





**Note: The specification can be customized as customer's request.**